

**DESCRIPTION**

The Lumadapt 8 LED luminaire, integral to the Lumadapt LED lighting system, delivers industry-first features and performance. Designed for sports and entertainment venues, Lumadapt 8 provides color temperature tuning, integrated RGBA color flooding, and beam tuning while capturing health and performance data which is stored securely in the data cloud. Turn on the features you need, as you need them, and as additional capabilities are offered to always keep your facility's lighting on the cutting edge.

<b>Catalog #</b>		<b>Type</b>	
<b>Project</b>			
<b>Comments</b>		<b>Date</b>	
<b>Prepared by</b>			

**SPECIFICATION FEATURES**

**Beam tuning optics**

Dynamically controls light distribution from fixture's light sources for wider and narrower beams.

**Color temperature tuning**

Dynamically adjust between warmer and cooler tones for different sports and events.

**Integrated color**

Optional integrated RGBA color capabilities for color flooding, scenes and effects.

**Feedback and monitoring**

Individual fixture and system level data is stored securely in the data cloud for review of performance and health.

**Easy field commissioning**

Integrated Near Field Communication (NFC) in each fixture allows for communication to unpowered fixtures to set CCT, beam angle and other parameters on the job site.

**Mounting options**

A variety of mounting options combined with 360 degree mounting orientation provides flexibility for any installation.

**Construction**

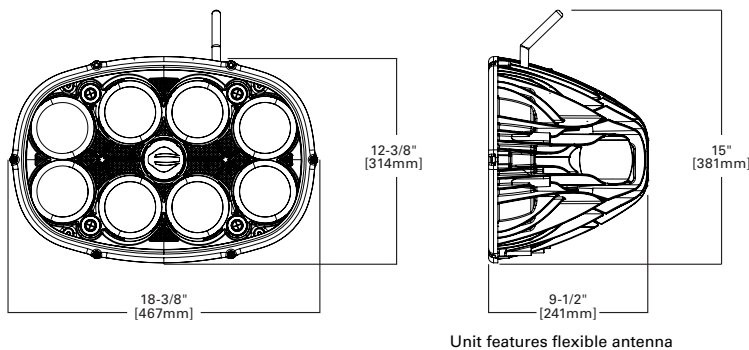
Solid state design means no moving parts to wear out or replace, providing maintenance-free operation.



**LUMADAPT 8**

**SPORTS LIGHTING**

**DIMENSIONS**



**CERTIFICATION DATA**  
IP66 Rated

**EPA**  
Effective Projected Area (Sq. Ft.): 1.4

**SHIPPING DATA**  
Approximate Net Weight:  
28 lbs. (12.7 kgs.)

## ORDERING INFORMATION

Sample Number: EPH-G8-HV-N-PC-BLK-IP

Product Line	Model	Voltage	Optics	LED	Fixture Color	Controls
EPH =Ephesus	G8 =Lumadapt 8	HV =high voltage LV = low voltage	N=Narrow	PC =color tunable white & RGBA	BLK =black WHT =white	IP=IP

## SPECIFICATION AND PERFORMANCE DATA

	LUMADAPT 8
Lumen output	up to 50,000 lumens
Input wattage / power supply output wattage	440 watts / 400 watts
Input voltage (high voltage)	277-480VAC, 50/60 Hz
Input voltage (low voltage)	120-240VAC, 50/60 Hz
CCT Range	3000K-6500K (4000K-5400K maintained lumens)
Color lighting	Integrated RGBA
Lumen Output by Color	
Red	325
Green	1950
Blue	277
Amber	1395
CRI	>= 80 CRI
TLCI	>70 TLCI (2)
Dimming range	Full range; 1-100%
Beam angle	Equivalent to NEMA 3-5
Operating temperature range	-40 degrees C to +50 degrees C
Usage	Indoor/outdoor
Mounting options (3G rated)	Pendant, yoke
Mounting angle	360 degrees / full range
IP rating	IP66
Electrical certifications	UL 8750, UL 1598
NEMA rating	NEMA 4X
Surge	10kV common mode / 4kV differential mode
Effective Projected Area	1.4 ft sq
Approximate Weight	28 lbs (3)

## NOTES:

1. For proper functionality, Lumadapt 8 fixtures must be sold with other Lumadapt system components.
2. Higher TLCI fixtures available upon request.
3. Mounting options and hardware may vary and affect final fixture weight.
4. Specifications are subject to change without notice.

Representada en México por



m é x i c o

Tel: +52 55 5251 2008

ventas@bhpenergy.mx

www.bhpenergy.mx