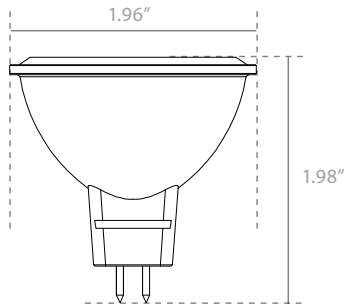


LED MR16 LAMPS GU5.3 T20 SERIES



6W GU5.3



FEATURES:

- Wattage: 6W, replaces 35W Inc.
- Lumens: 500lm
- Input Voltage: 12V
- Base: GU5.3
- UV and IR free
- Color Rendering Index (CRI): ≥84
- Power Factor: 0.90
- Dimmable: Yes
- Beam Angle: 40°
- ENERGY STAR certified
- Supports Compliance of CEC Title 20 2016
- Suitable for use in damp locations
- Five year limited warranty
- 25,000 hour life at L70 standards

APPLICATIONS:

- Home
- Office
- Retail
- Hospitality
- Accent/display lighting
- Track lighting

MODEL SELECTION (Full list of order codes on pg. 2)		Typical order example: 6MR16D27FL		
6MR16		D		FL
FAMILY	BASE	DIMMABILITY	CCT	BEAM
6MR16= 6W, MR16	(OMIT)= GU5.3	D= Dimmable LED	27= 2700K 30= 3000K	FL= 40° Flood

MODEL SELECTION (Full list of order codes on pg. 2)		Typical order example: 6MR16D927FL		
6MR16		D	927	FL
FAMILY	BASE	DIMMABILITY	CCT	BEAM
6MR16= 6W, MR16	(OMIT)= GU5.3	D= Dimmable LED	927= 2700K	FL= 40° Flood

SPECIFICATIONS:

ITEM	SPECIFICATION	DETAILS
GENERAL PERFORMANCE	Power Consumption	6W
	Lumens Delivered	500
	Efficacy	83 lm/W
	CRI	≥84
	Beam Angle	40°
	Color Temperature (CCT)	2700K, 3000K
	Lumen Maintenance (L70)	25,000 Hours
ELECTRICAL	Power Factor	0.90
	Input Voltage	12V
PHYSICAL	Base Type	GU5.3
	Operating Temperature	-4°F - 104°F
CERTIFICATION	Suitable for totally enclosed luminaires	No
	Certification	cULus, ENERGY STAR
	Environment	Dry & Damp
	Warranty	5 Year Limited

ORDERING:

ORDER CODE	MODEL	ENERGY STAR	WATTS	EQUIVALENCY	LUMENS	CBCP (cd)	CRI	CCT	BASE	BEAM ANGLE	CASE QTY
14098943	6MR16D927FL	★	6	35W	500	964	84	2700K	GU5.3	40°	100pcs
14099575	6MR16D27FL	★									
14099576	6MR16D30FL	★									

★ ENERGY STAR certified

COMPATIBLE DIMMER LIST

DIMMERS		TRANSFORMERS		
BRAND	MODEL NUMBER	C60	C-150	WACLIGHTING EN-1275-R-AR
LUTRON	NTLV-600	GOOD	BAD	GOOD
	DVELV-300P	BAD	BAD	GOOD
	AYLV-600P	GOOD	GOOD	GOOD
	DVLV-600P	GOOD	GOOD	GOOD
	MRF2-3LD	GOOD	GOOD	GOOD
LEGRAND	DLV703P	GOOD	GOOD	GOOD