

GRUV® 1.5"

RECESSED LINEAR LED

GRUV1.5
LED

APPLICATION:

Retail and commercial recessed ambient lighting

CONSTRUCTION:

Extruded aluminum housing and trim
Die-formed, cold-rolled steel internal components and external housing

OPTICS:

5w/ft or 10w/ft
Various color temps available
Extruded white acrylic lens, snap-in, 8' maximum section
Amerlux® exclusive white acrylic lens provides excellent transmission while effectively concealing lamp image

ELECTRICAL:

Electronic, multi-volt (120v-277v) constant current driver
Dimmable, 0-10v standard
This product complies with IEEE C62.41 for surge endurance up to 3KV. Amerlux recommends using additional surge protection with this unit (supplied by others), surge damage is not covered by warranty
Emergency circuit via remote inverter or auxiliary emergency power supply (by others)

Driver	Wattage per foot		4'		8'	
			System watts	Amps	System watts	Amps
Electronic	5	120v	21	.18	42	.35
		277v	21	.08	42	.15
	10	120v	43	.36	86	.72
		277v	43	.16	86	.31

MOUNTING:

For use in gypsum board and grid ceilings
For individual or continuous row applications
Fixture installed before ceiling

LABELING:


For indoor use only

Note: Diagrams on page 2



PROJECT:

TYPE:



10 year limited warranty
AMERLUX LED
(see website for details)

ORDERING INFORMATION:

Model	Light Distr./Shielding	Wattage Per Foot	Lamp Type	Color Temp	Finish	Voltage	Length	Configuration	Options/Accessories
GRUV1.5-FLG	LD - lens direct SLD - straight blade	5 10	LED	2700 3000 3500 4000	HW - high reflectance white	120/277	4 - 4' 8 - 8'	IND - individual BOR - beginning of run MOR - middle of run EOR - end of run	HILUME-DH - Lutron Hi-Lume® 3 wire, 1% dim HILUME-ECO - Lutron Hi-Lume® EcoSystem, 1% dim CP - Chicago plenum
GRUV1.5-FLG-GRID	louver direct with overlay, specify color: B (blk), S (slv), W (wh)						— - continuous run (consult factory)		
GRUV1.5-FR-GRID									
GRUV1.5-GB									
GRUV1.5-IS									
GRUV1.5-J/GRID									
GRUV1.5-J/GB									

Example: GRUV1.5-FR-GB-LD-10-LED-3500-HW-120/277-4-IND

Cat #:

Amerlux reserves the right to change details that do not affect overall function and performance.



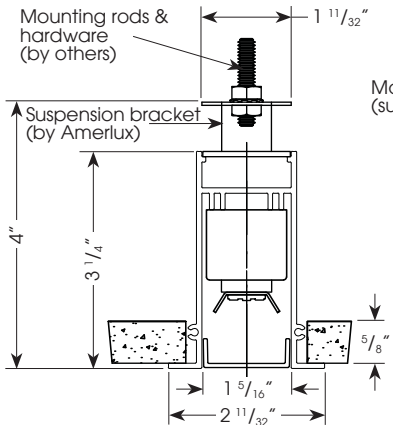
GRUV® 1.5"

RECESSED LINEAR LED

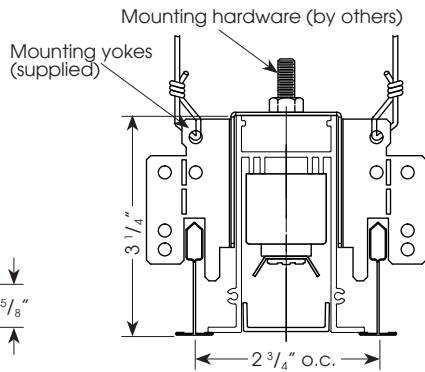
GRUV1.5
LED



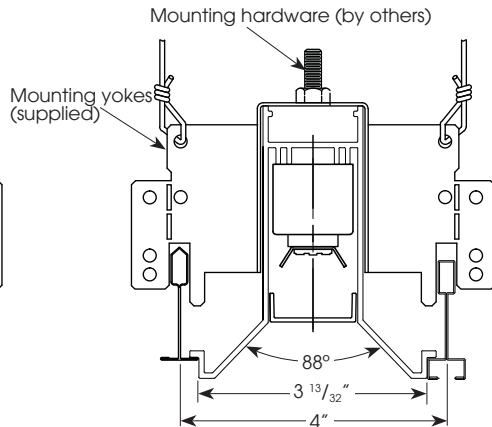
TYPE:



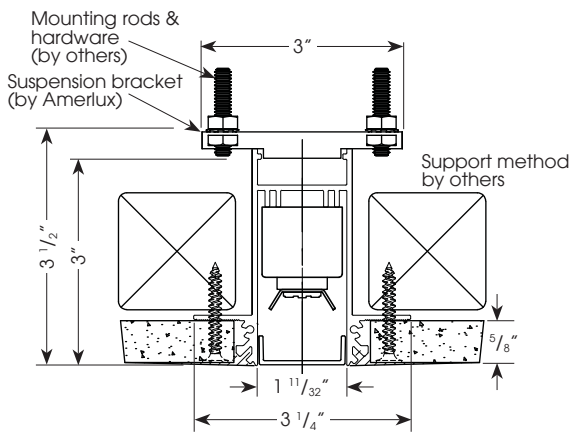
GRUV1.5-FLG



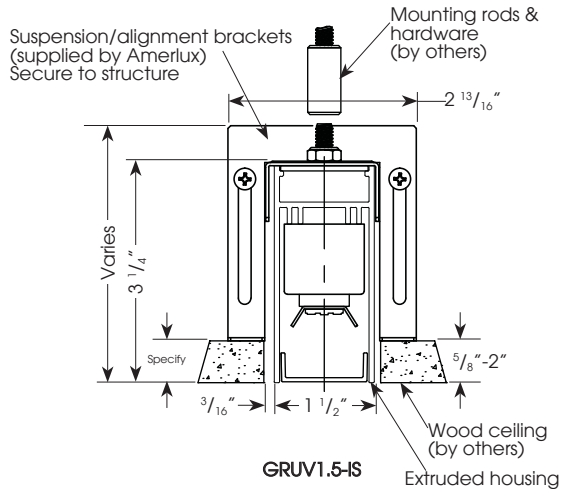
GRUV1.5-FLG-GRID



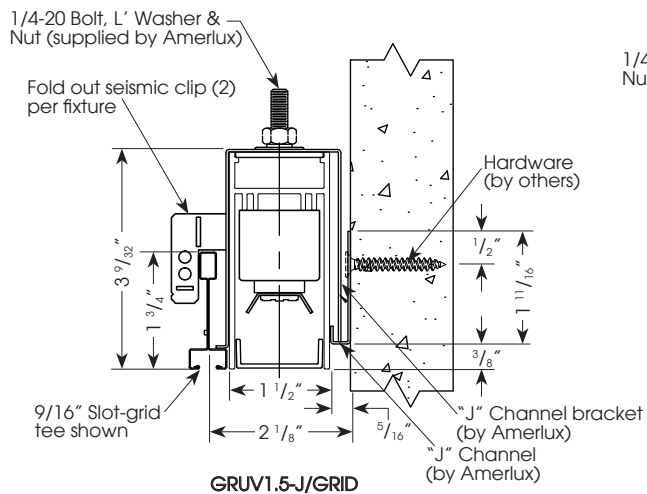
GRUV1.5-FR-GRID



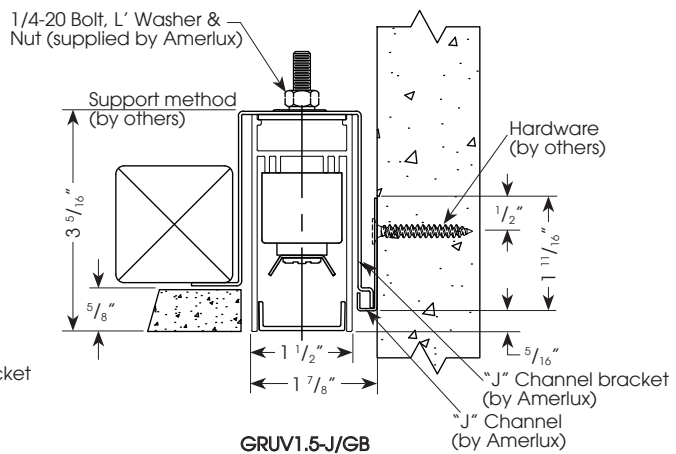
GRUV1.5-GB



GRUV1.5-IS



GRUV1.5-J/GRID



GRUV1.5-J/GB

GRUV® 1.5"

RECESSED LINEAR LED

GRUV1.5
LED



TYPE:



FIXTURE DATA:

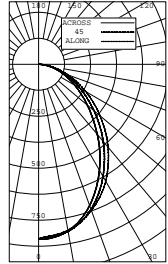
Complete photometric data (.ies format) available upon request.

LENS DIRECT

GRUV 1.5" 5W LED 4FT 3500K
SOURCE: 96 WHITE LEDS LUMENS: 1840
RECESSED

GRUV 1.5" 10W LED 4FT 3500K
SOURCE: 96 WHITE LEDS LUMENS: 3263
RECESSED

LTL# 695285



ZONAL LUMEN SUMMARY

Zone	Lumens	%Fixt
0-30	614	33.36
0-40	958	52.08
0-60	1535	83.42
0-90	1840	100.00
40-90	882	47.92
60-90	305	16.58
90-180	0	0.00
0-180	1840	100.00

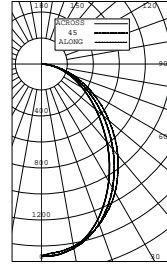
Efficacy = 87.6 Lumens /Watt

COEFFICIENTS OF UTILIZATION

Effective Floor Cavity Reflectance 20%

RC	80			
RW	70	50	30	10
RCR				
0	1.19	1.19	1.19	1.19
1	1.10	1.06	1.03	0.99
2	1.02	0.95	0.89	0.8
3	0.94	0.85	0.78	0.72
4	0.88	0.77	0.69	0.64
5	0.81	0.70	0.62	0.56
6	0.75	0.63	0.55	0.49
7	0.69	0.57	0.49	0.44
8	0.65	0.52	0.44	0.39
9	0.60	0.48	0.40	0.35
10	0.56	0.44	0.36	0.31

LTL# 695286



ZONAL LUMEN SUMMARY

Zone	Lumens	%Fixt
0-30	1082	33.16
0-40	1691	51.83
0-60	2716	83.25
0-90	3263	100.00
40-90	1572	48.17
60-90	547	16.75
90-180	0	0.00
0-180	3263	100.0

Efficacy = 78.4 Lumens /Watt

COEFFICIENTS OF UTILIZATION

Effective Floor Cavity Reflectance 20%

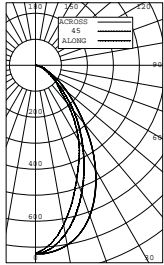
RC	80			
RW	70	50	30	10
RCR				
0	1.19	1.19	1.19	1.19
1	1.10	1.06	1.03	0.99
2	1.02	0.95	0.89	0.84
3	0.94	0.85	0.78	0.72
4	0.87	0.77	0.69	0.63
5	0.81	0.70	0.61	0.55
6	0.75	0.63	0.55	0.49
7	0.69	0.57	0.49	0.43
8	0.65	0.52	0.44	0.39
9	0.60	0.48	0.40	0.34
10	0.56	0.44	0.36	0.31

STRAIGHT BLADE LOUVER DIRECT

GRUV 1.5" 5W LED 4FT 3500K
SOURCE: 96 WHITE LEDS LUMENS: 909
RECESSED

GRUV 1.5" 10W LED 4FT 3500K
SOURCE: 96 WHITE LEDS LUMENS: 1599
RECESSED

LTL# 695287



ZONAL LUMEN SUMMARY

Zone	Lumens	%Fixt
0-30	443	48.71
0-40	633	69.58
0-60	842	92.63
0-90	909	100.00
40-90	277	30.42
60-90	67	7.37
90-180	0	0.00
0-180	909	100.00

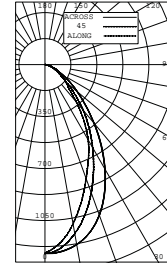
Efficacy = 43.3 Lumens /Watt

COEFFICIENTS OF UTILIZATION

Effective Floor Cavity Reflectance 20%

RC	80			
RW	70	50	30	10
RCR				
0	1.19	1.19	1.19	1.19
1	1.12	1.09	1.06	1.04
2	1.06	1.00	0.96	0.92
3	0.99	0.92	0.87	0.82
4	0.94	0.85	0.79	0.74
5	0.88	0.79	0.72	0.67
6	0.83	0.73	0.66	0.62
7	0.78	0.68	0.61	0.56
8	0.74	0.63	0.56	0.52
9	0.69	0.58	0.52	0.47
10	0.65	0.54	0.48	0.43

LTL# 695288



ZONAL LUMEN SUMMARY

Zone	Lumens	%Fixt
0-30	776	48.51
0-40	1109	69.33
0-60	1479	92.46
0-90	1599	100.00
40-90	491	30.67
60-90	121	7.54
90-180	0	0.00
0-180	1599	100.0

Efficacy = 38.4 Lumens /Watt

COEFFICIENTS OF UTILIZATION

Effective Floor Cavity Reflectance 20%

RC	80			
RW	70	50	30	10
RCR				
0	1.19	1.19	1.19	1.19
1	1.12	1.09	1.06	1.03
2	1.06	1.00	0.96	0.92
3	0.99	0.92	0.86	0.82
4	0.94	0.85	0.79	0.74
5	0.88	0.79	0.72	0.67
6	0.83	0.73	0.66	0.62
7	0.78	0.67	0.61	0.56
8	0.73	0.63	0.56	0.51
9	0.69	0.58	0.52	0.47
10	0.65	0.54	0.48	0.43

GRUV • 1.5"

RECESSED LINEAR LED

GRUV1.5
LED



TYPE:



FIXTURE DATA:

Complete photometric data (.ies format) available upon request.

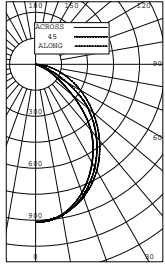
LENS DIRECT

GRUV 1.5" FR 5W LED 4FT 3500K

SOURCE: 96 WHITE LEDS LUMENS: 1866

RECESSED

LTL# 695285



ZONAL LUMEN SUMMARY

Zone	Lumens	%Fixt
0-30	669	35.82
0-40	1052	56.34
0-60	1665	89.19
0-90	1866	100.00
40-90	815	43.66
60-90	202	10.81
90-180	0	0.00
0-180	1866	100.00

Efficacy = 88.5 Lumens /Watt

COEFFICIENTS OF UTILIZATION

Effective Floor Cavity Re Reflectance 20%

RC	80			
RW	70	50	30	10
RCR				
0	1.19	1.19	1.19	1.19
1	1.11	1.08	1.05	1.02
2	1.04	0.98	0.92	0.88
3	0.96	0.88	0.81	0.76
4	0.90	0.80	0.73	0.67
5	0.83	0.73	0.65	0.59
6	0.77	0.66	0.58	0.53
7	0.72	0.60	0.52	0.47
8	0.67	0.54	0.47	0.42
9	0.62	0.50	0.42	0.37
10	0.58	0.46	0.38	0.33

Representante Exclusivo
BHP Energy México S. de R.L de C.V

Bosque de Durazos #69 - Torre B 1107-A, Col.Bosques de las Lomas, México DF. 11700
Tel: +52 55 5251 2008 / info@bhpenergy.mx / ventas@bhpenergy.mx / www.bhpenergy.mx