

# LUNERA LUCY LAMP

## LED Replacement for High Pressure Sodium Lamp

150W E26 Medium Base, Vertical Mount



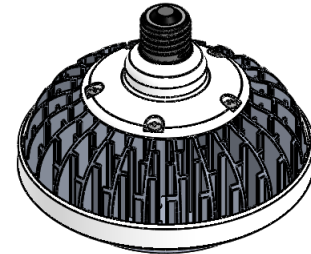
### Description

The Lucy Lamp is a plug-and-play replacement for a High Pressure Sodium (HPS) lamp with an E26 medium base. With a significantly lower energy consumption than conventional HPS lamps, this LED lamp replaces 150W HPS lamps.

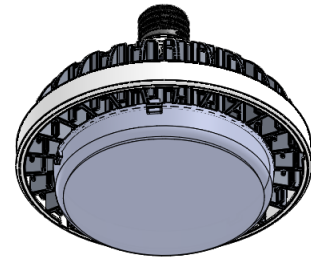
Lunera's BallastLED technology makes the lamp truly plug-and-play by allowing it to operate directly off of the existing ballast. Simply replace the existing HPS lamp with the Lucy Lamp without making any modifications to the fixture.

The Lucy Lamp has a rated life of 50,000 hours – 2 times longer than that of HPS lamps. This eliminates replacement cycles and reduces maintenance costs.

The Lucy Lamp is available in a color temperature of 4000K. It delivers consistent light levels across its long life, which results in a high quality lighting experience.



150W



150W

### Features

- Replaces 150W HPS lamps
- Plug-and-play installation, operates directly off of existing installed High Pressure Sodium (HPS) ballast
- Ultra-low energy draw, extends existing ballast life
- Up to 4,800 lumens delivered
- 50W lamp power, yields 66% energy savings
- >80 CRI
- CCT 4000K
- 50,000 hours to L70 lifespan

### Ordering Information

Example: LY-V-E26-150W-4000-G2

| Series               | Version            | Socket Type   | Lamp Wattage Replaced                  | CCT                | Generation                   |
|----------------------|--------------------|---|--|--------------------|------------------------------|
| <b>LY:</b> Lucy Lamp | <b>V:</b> Vertical | <b>E26:</b><br>Fits in medium (E26) base HPS socket | <b>150W:</b><br>Supports 150W ballasts | <b>4000:</b> 4000K | <b>G2:</b><br>2nd Generation |

|               |          |           |
|---------------|----------|-----------|
| PROJECT       | CONTACT  | MODEL NO. |
| REFERENCE NO. | QUANTITY | DATE      |

## Product Specifications - Vertical Mount Lamp

Driven by 150W (S55) ballast

### Illumination

|                         |                                      |
|-------------------------|--------------------------------------|
| Color Temperatures      | 4000K                                |
| Lumens                  | 4000K: 4,800 lm                      |
| Color Consistency       | Lunera TruColor™ proprietary process |
| Lumen Maintenance (L70) | 50,000+ hours life                   |

### Electrical System

|                       |                       |
|-----------------------|-----------------------|
| Input Voltage         | Driven by HPS ballast |
| Power Consumption     | 50W                   |
| Lamp Wattage Replaced | 150W (S55)            |

### Physical

|                    |             |
|--------------------|-------------|
| Dimensions (H x W) | 5.5" x 6.1" |
| Weight             | 1.5 lbs     |
| Housing and Finish | Painted     |
| Heat Sink Size     | 6"          |

### Environment

|                     |                                   |
|---------------------|-----------------------------------|
| Ambient Temperature | -40°F to 100°F                    |
| Humidity Rating     | Damp OK,<br>no direct water spray |
| Fixture Type        | Open or enclosed                  |

### Installation

|             |  |
|-------------|--|
| Socket Type | Fits vertical mount<br>medium base<br>(E26) HPS socket |
|-------------|--|

### Certifications & Qualifications

|                       |                             |
|-----------------------|-----------------------------|
| UL                    | Recognized, US & CAN        |
| RoHS Compliant        | Contains no lead or mercury |
| LM79, LM80, IES Files | Complete                    |

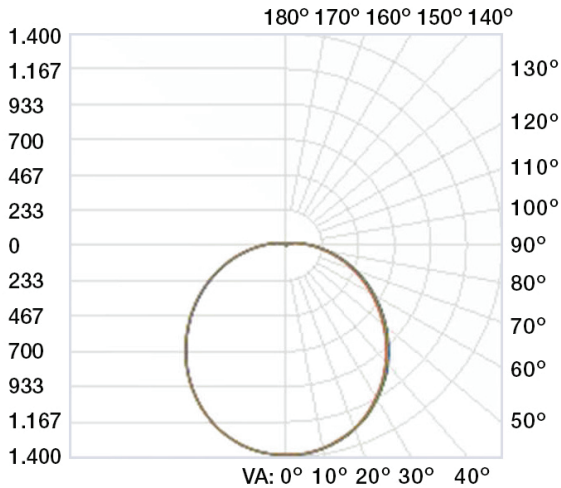
### Warranty

|          |         |
|----------|---------|
| Warranty | 5 years |
|----------|---------|

## Photometry

The Lucy Lamp E26 150W vertical lamp photometrics.  
LM-79 REPORT NO. 101930332LAX

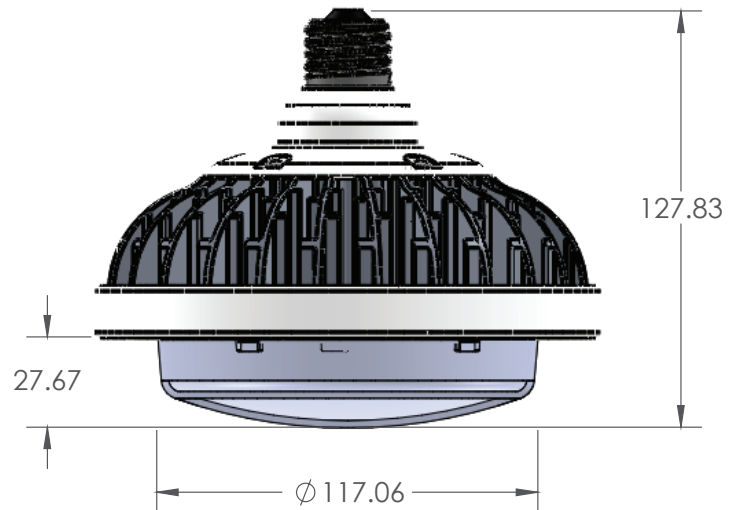
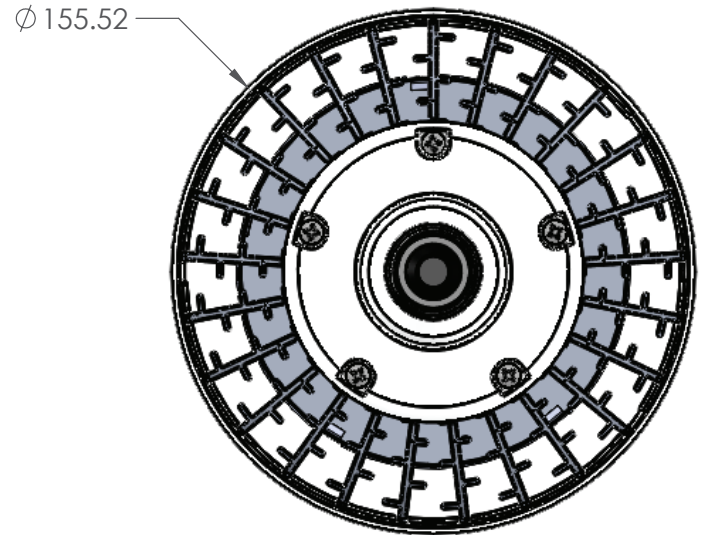
### Polar Candela Distribution



## Product Dimensions

Measurements are rounded up. Dimensions are shown in millimeters. Please contact your Lunera representative for exact dimensions.

### 150W



## CAUTION

- This lamp is NOT approved for use with line voltage.

## Representante Exclusivo

Bosque de Duraznos #69 - Torre B 1107-A  
Col. Bosques de las Lomas, México DF. 11700  
Tel: +52 55 5251 2008

info@bhpenergy.mx / ventas@bhpenergy.mx

© 2015 BHP Energy México Todos Los Derechos Reservados  
www.bhpenergy.mx



© 2015 Lunera Lighting, Inc. All Rights Reserved. Lunera and the Lunera logo are registered trademarks; Lunera TruColor is a trademark of Lunera Lighting, Inc. All other trademarks are the property of their respective owners.

Specifications are subject to change without notice. This document is for informational purposes only.

